

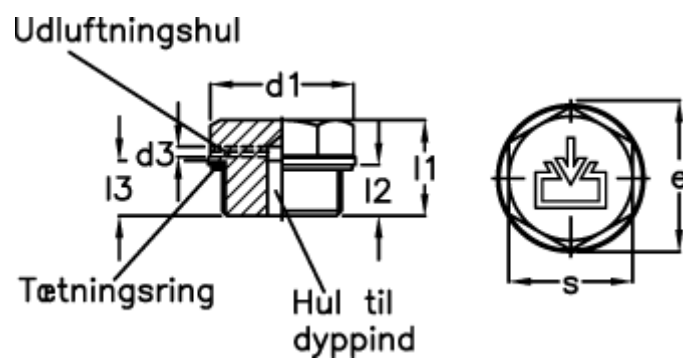
# Data Sheet



Article number: 20240526

Description: E+G  
Threaded plug GN 741-26-G1/2-ES-2

## Measures



d1 = 26

d2 = G1/2

d3 = 2

d4 = M5

e = 24.3

l1 = 16.0

l2 = 8.5

s = 21